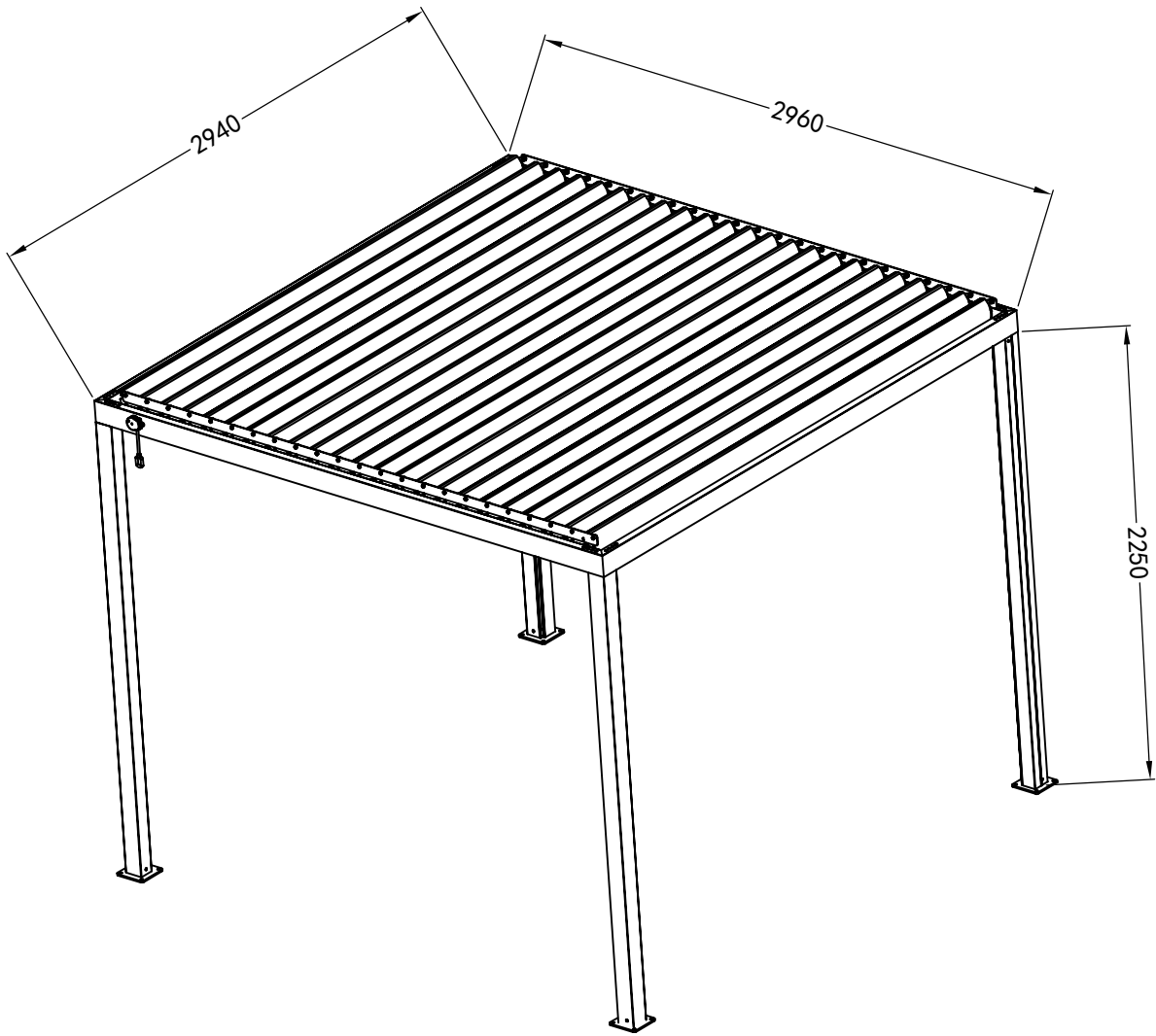


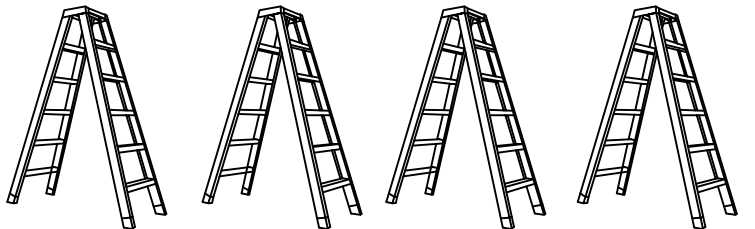
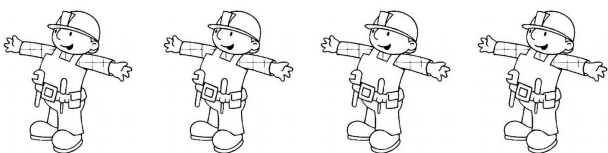
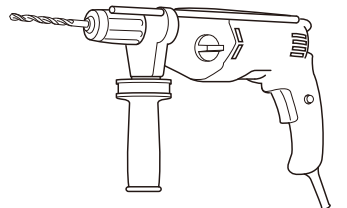
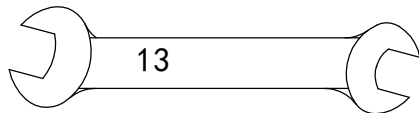
I



└── 145\*4MM X 1

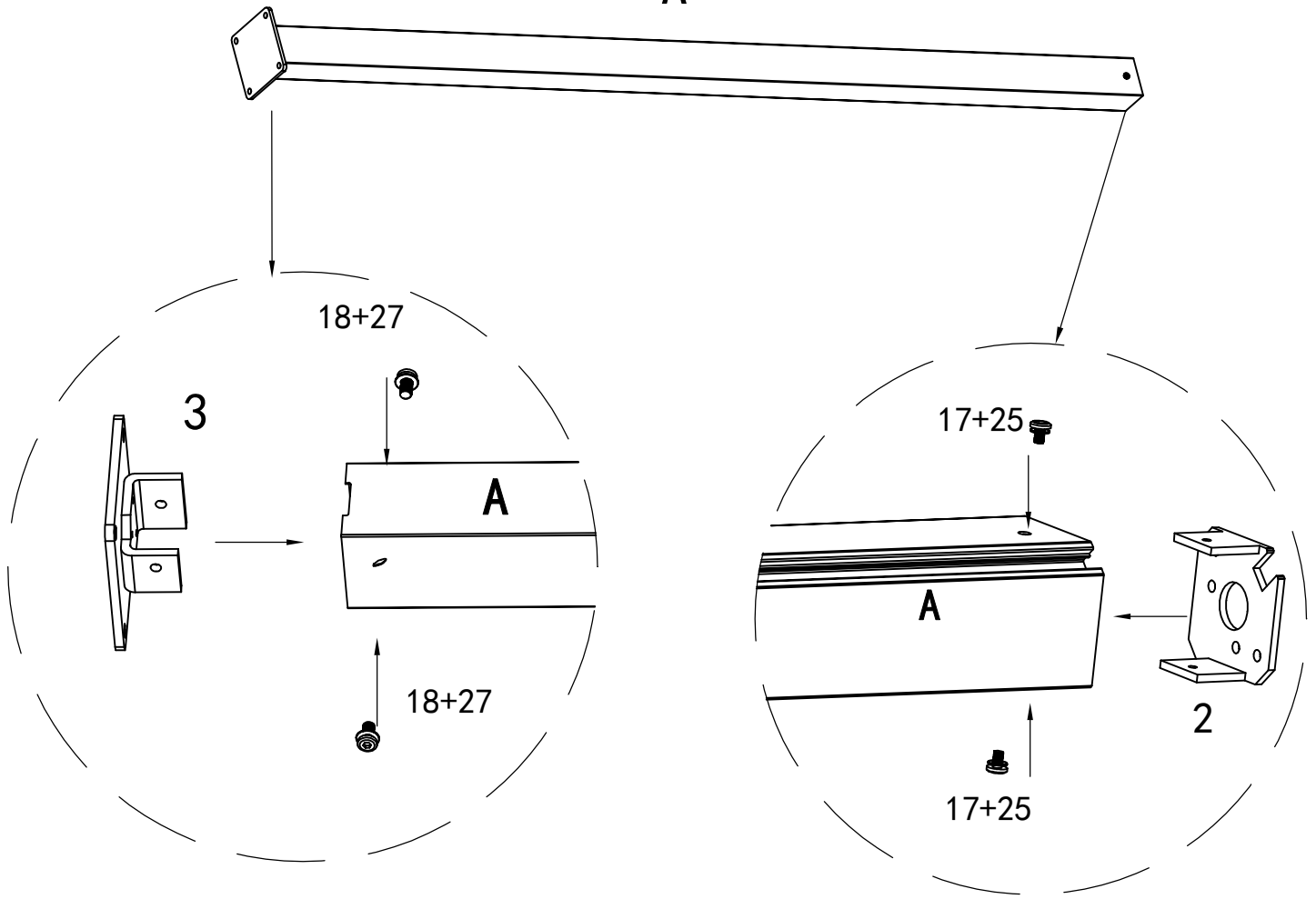
└── 145\*5MM X 1

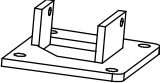

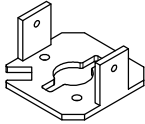
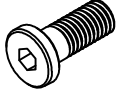
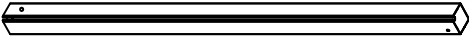


└── 145\*6MM X 1

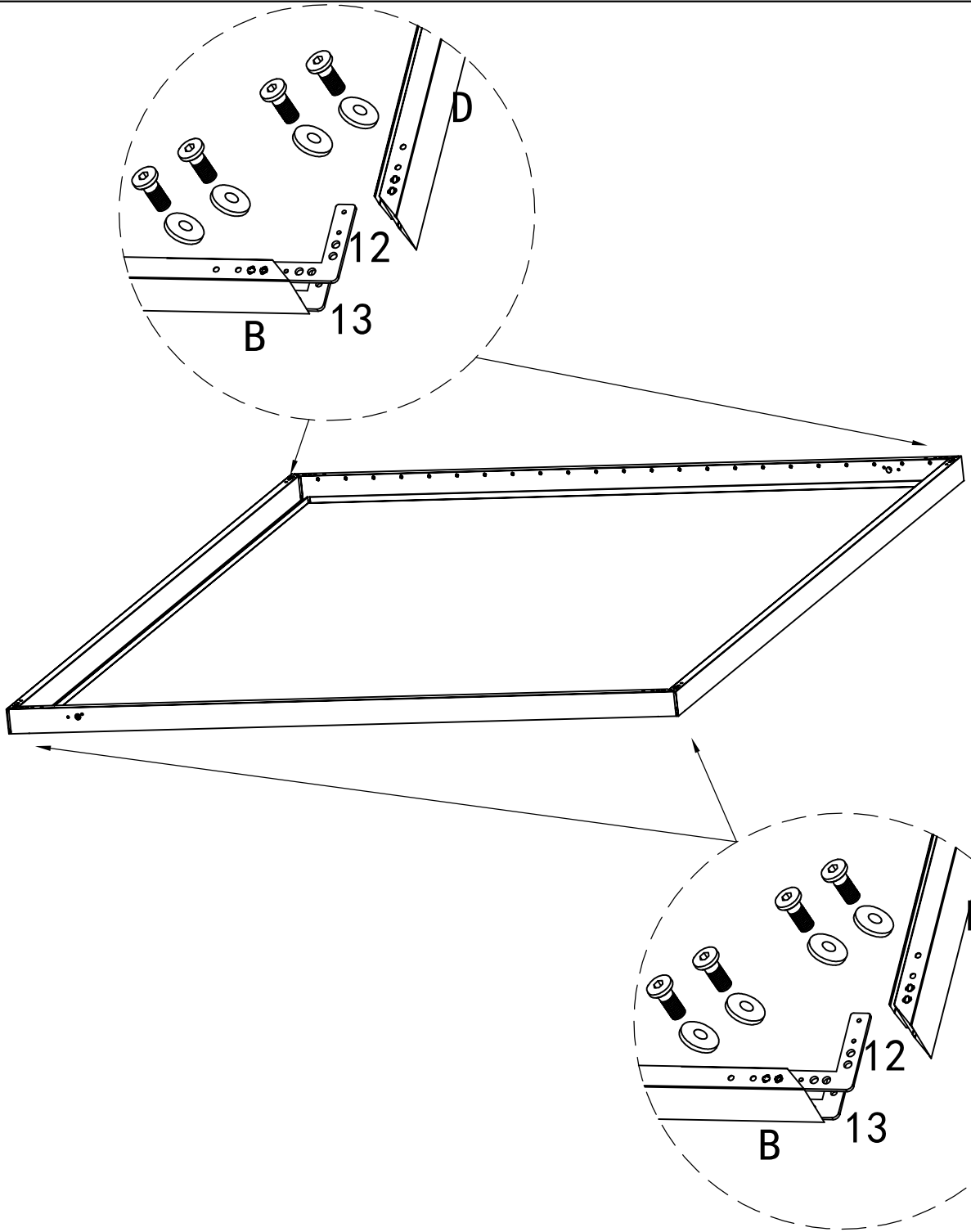


II

A



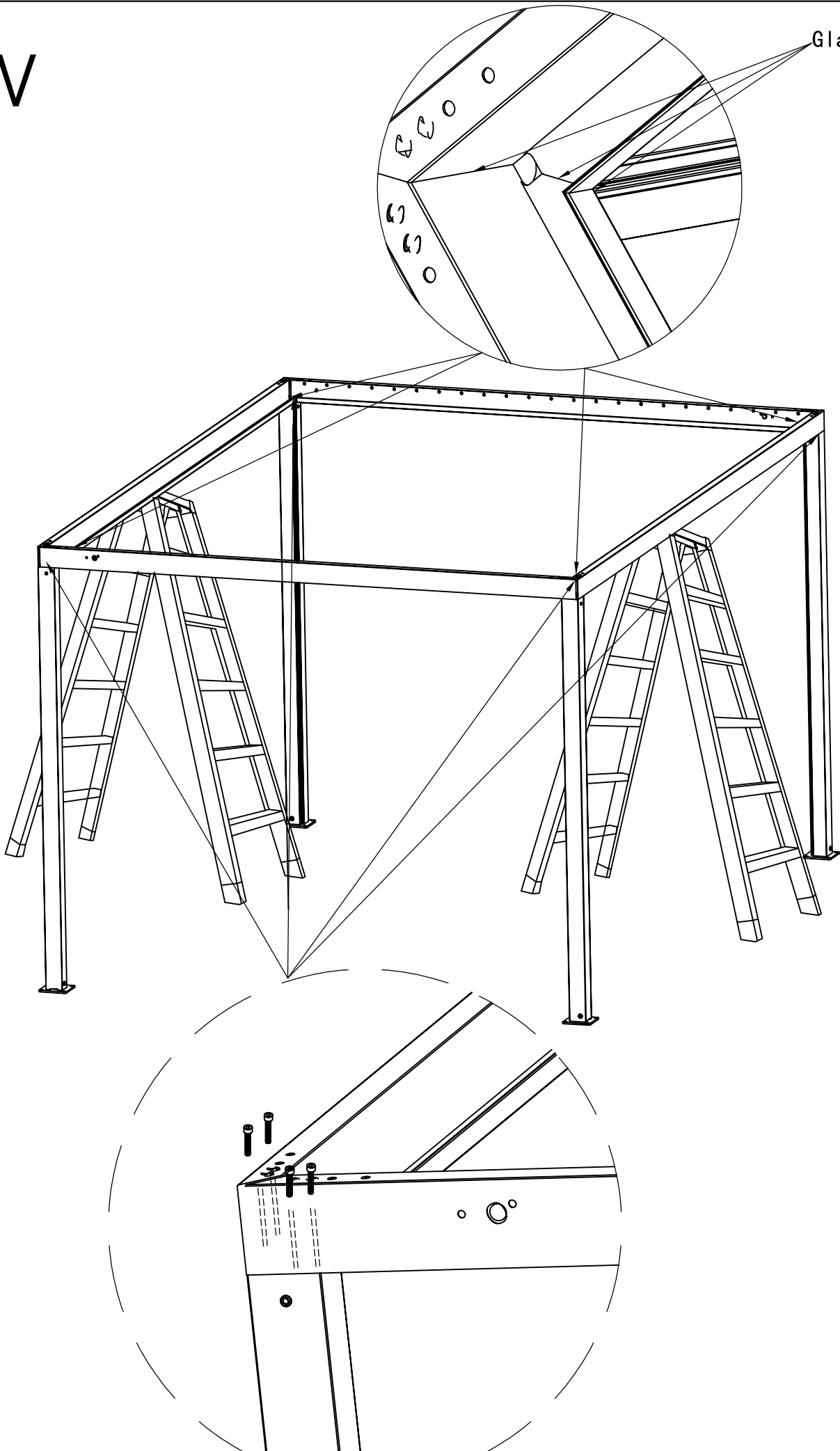
3	 X4	18	M10*20	 X8
2	 X4	17	M6*20	 X8
A	 X4	27	$\phi 20*\phi 10*1$	 X8
		25	$\phi 12*\phi 6*1$	 X8



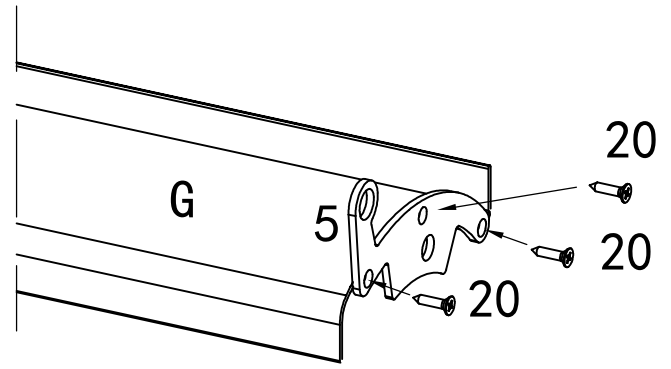
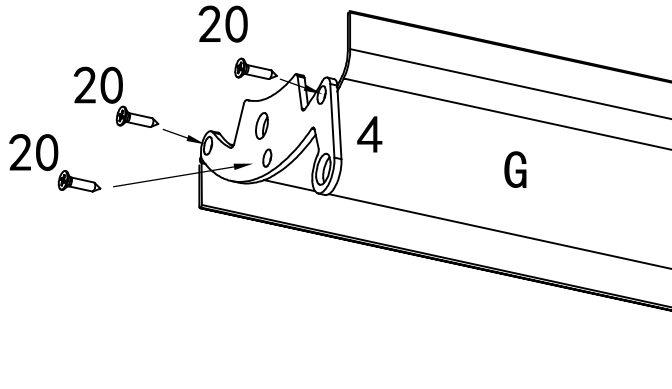
B	X1	12		X4
		13		X4
C	X1	28	M8*20	X8
D	X2	17	M6*14	X16
		26	∅20*∅8*1.5	X8

# IV

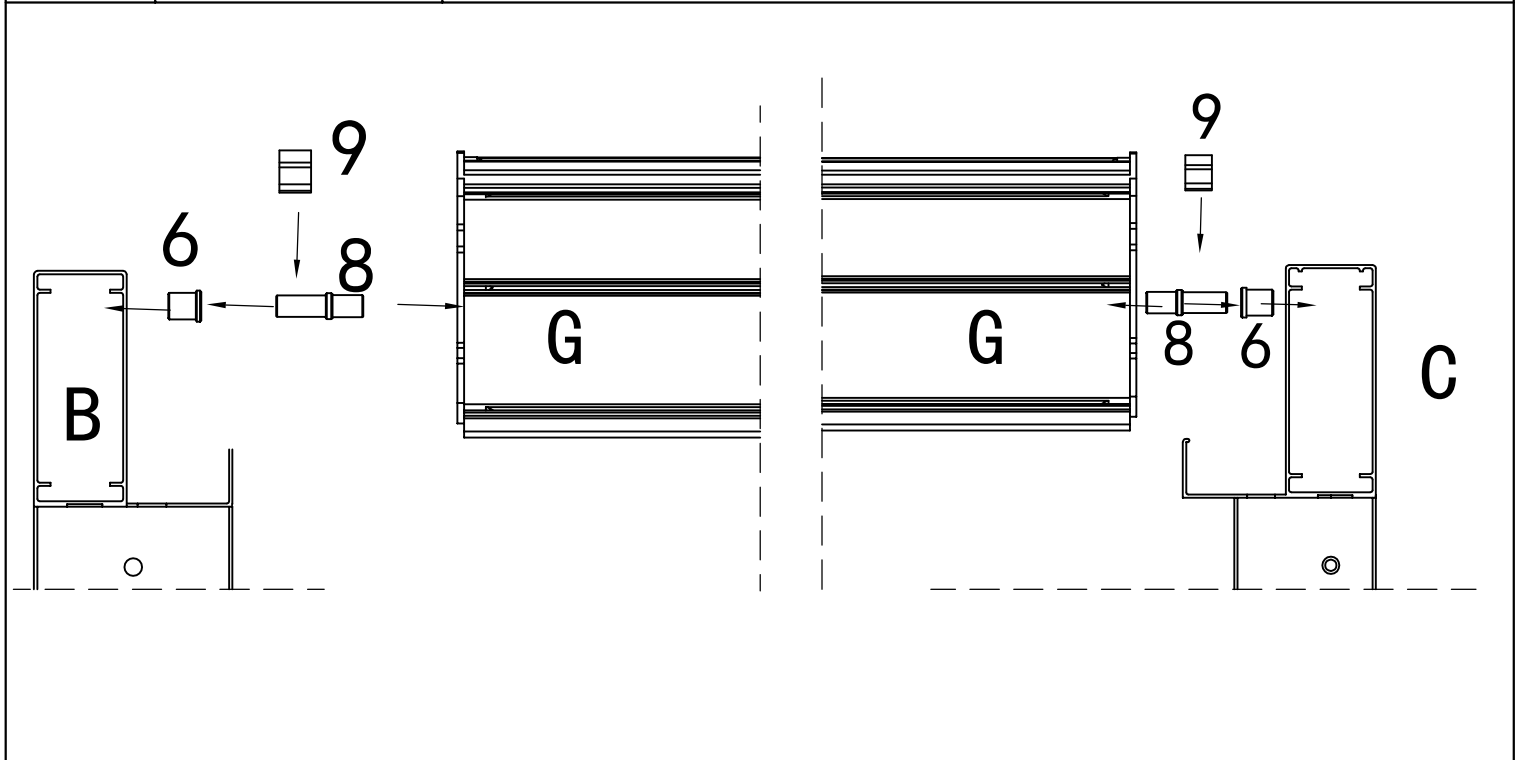
Glazing glue



# V

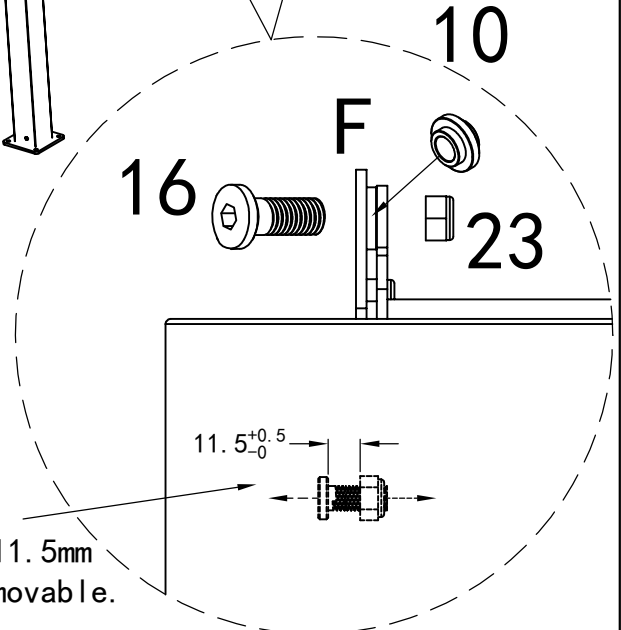
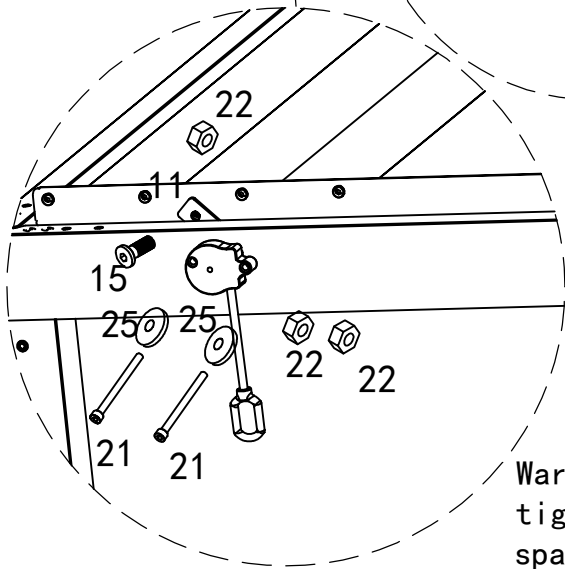
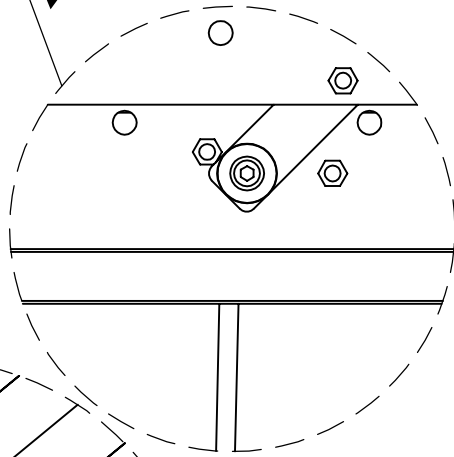
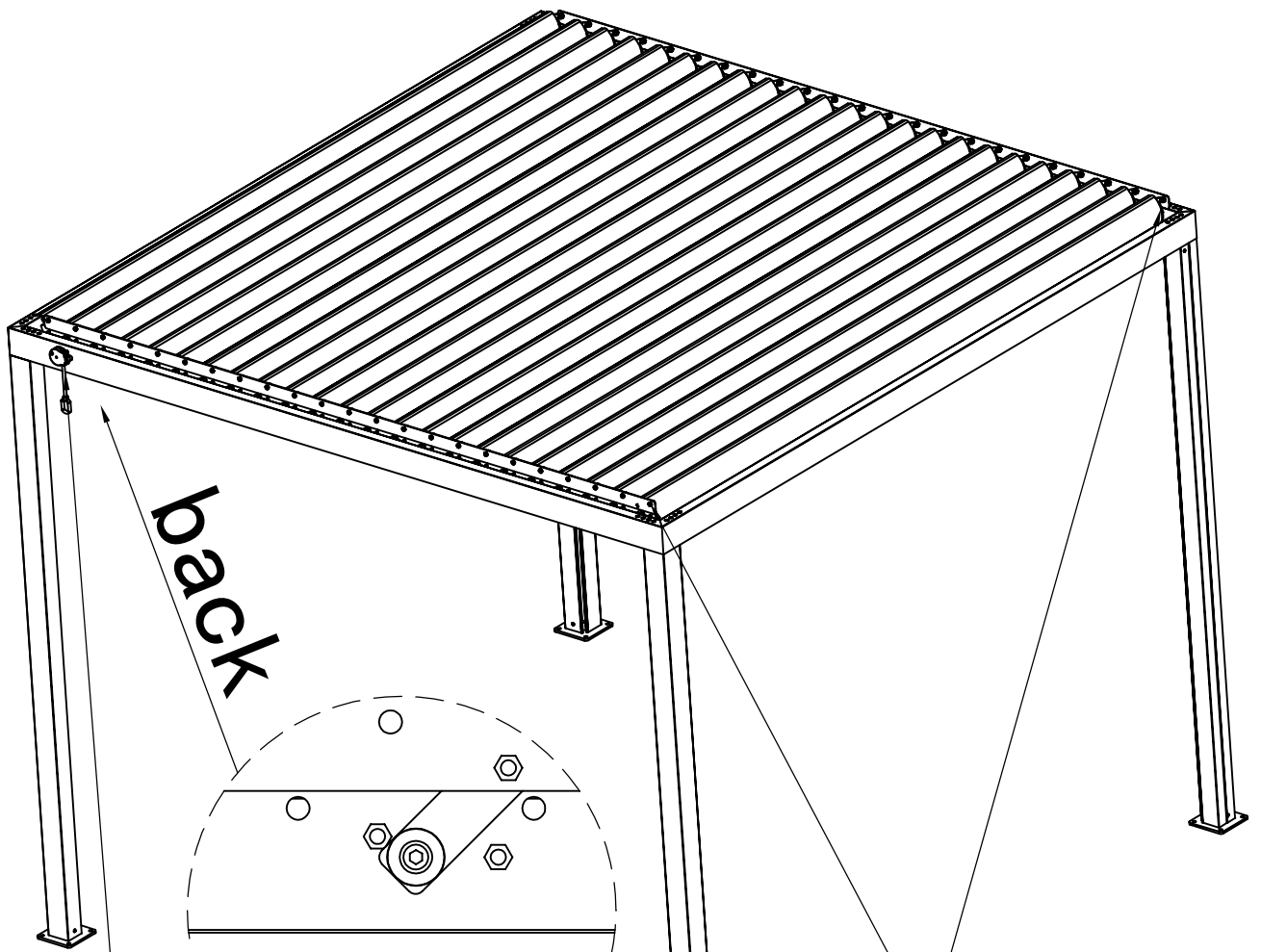


20	ST3. 5x13		X6
4 5			X1 X1
G			X1

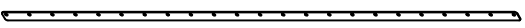


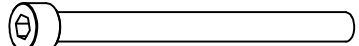
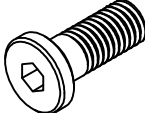


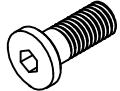




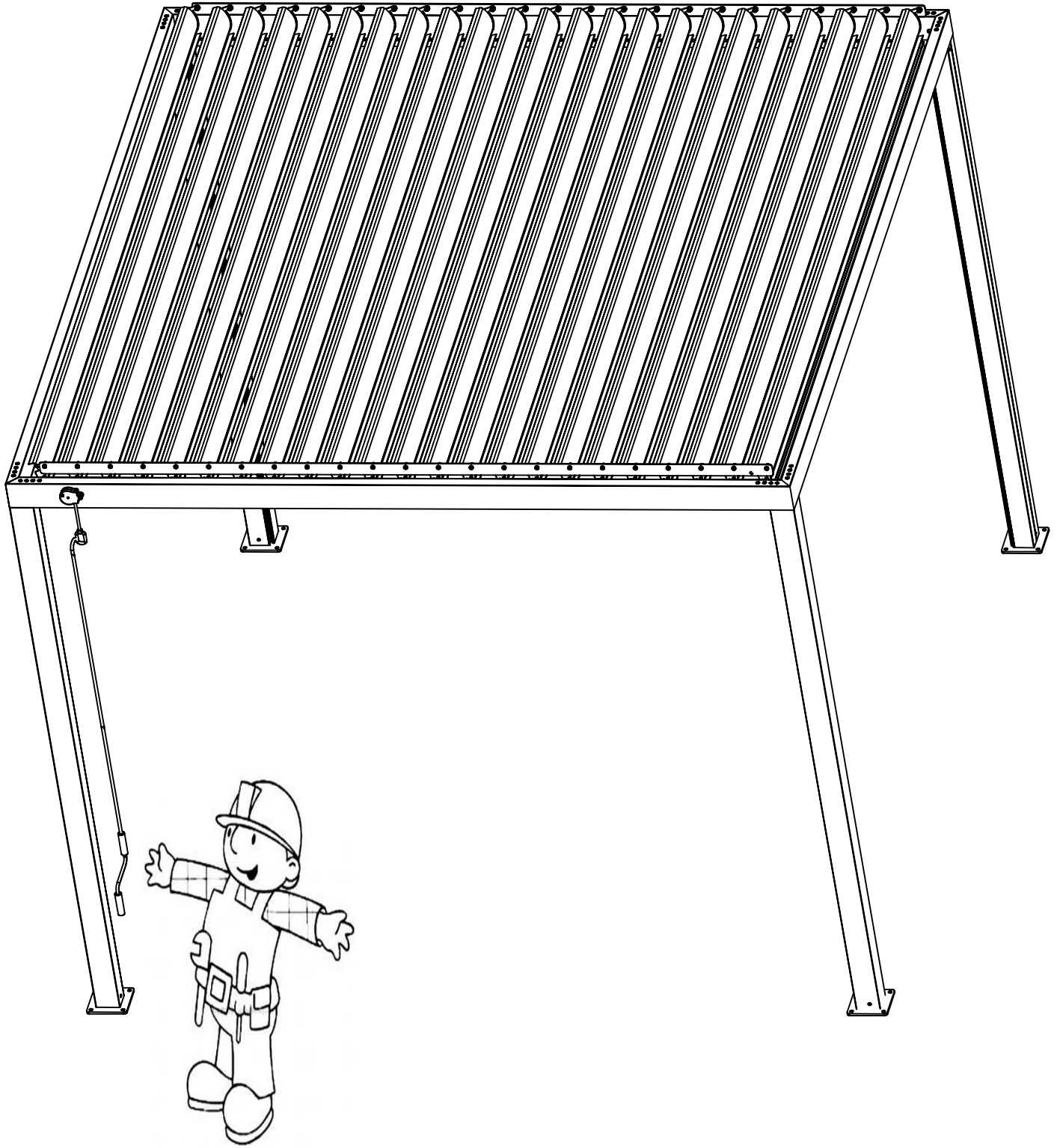
B		X1	9		X2
C		X1	6		X2
8		X2			








# VI

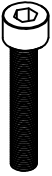
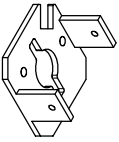





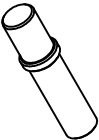



Warning: Not fastened tightly, leave around 11.5mm space, or panels not movable.



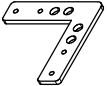
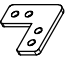


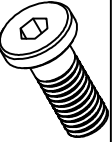


F		X1	14		X1
G		X1	21	M8*70 	X2
16	M8*20 	X46	22		X3
10		X46	15		X2
23	(M8) 	X46	26		X2



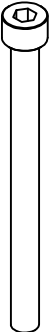


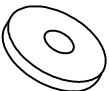

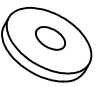
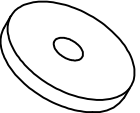



PART	PHOTO	QTY
A		X4
B		X1
C		X1
D		X2
E		X1
F		X1
G		X23

PART	PHOTO	QTY
1	M8*20 	X16
2		X4
3		X4
4		X23
5		X23
6		X46
7		X2
8		X46
9		X46



PART	PHOTO	QTY
10		X46
11		X1
12		X4
13		X4
14		X1
15		X1
16		X46
17		X9
18		X8

PART	PHOTO	QTY
19		X1
20		X138
21		X2
22		X3
23		X46
24		X2
25		X8
26		X2
27		X8
28		X1