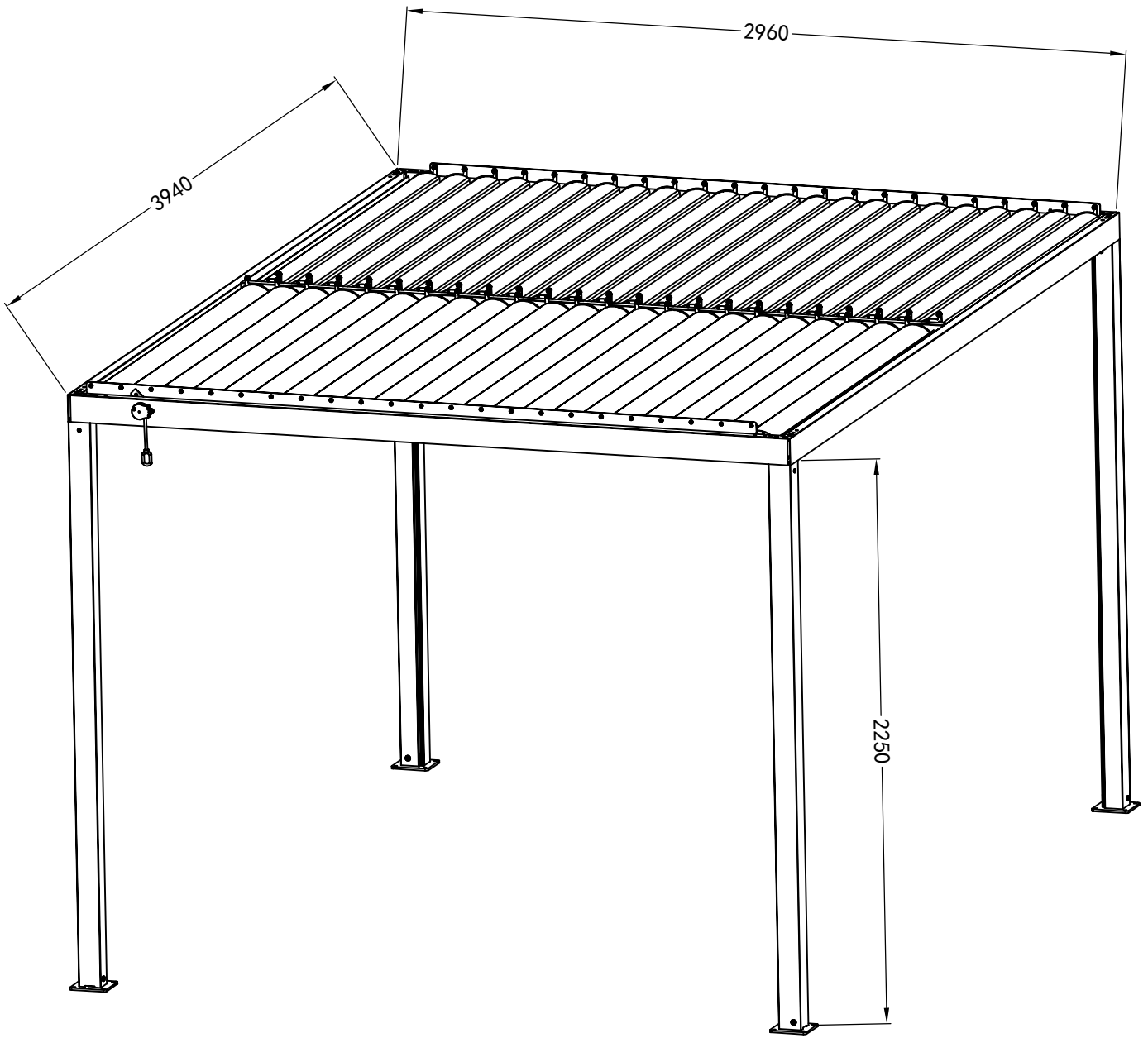


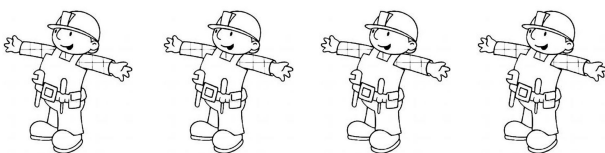
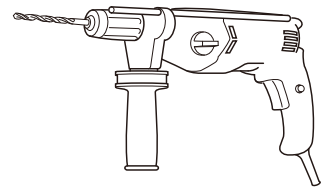
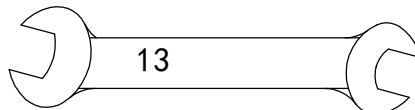
I



└ 145*4MM X 1

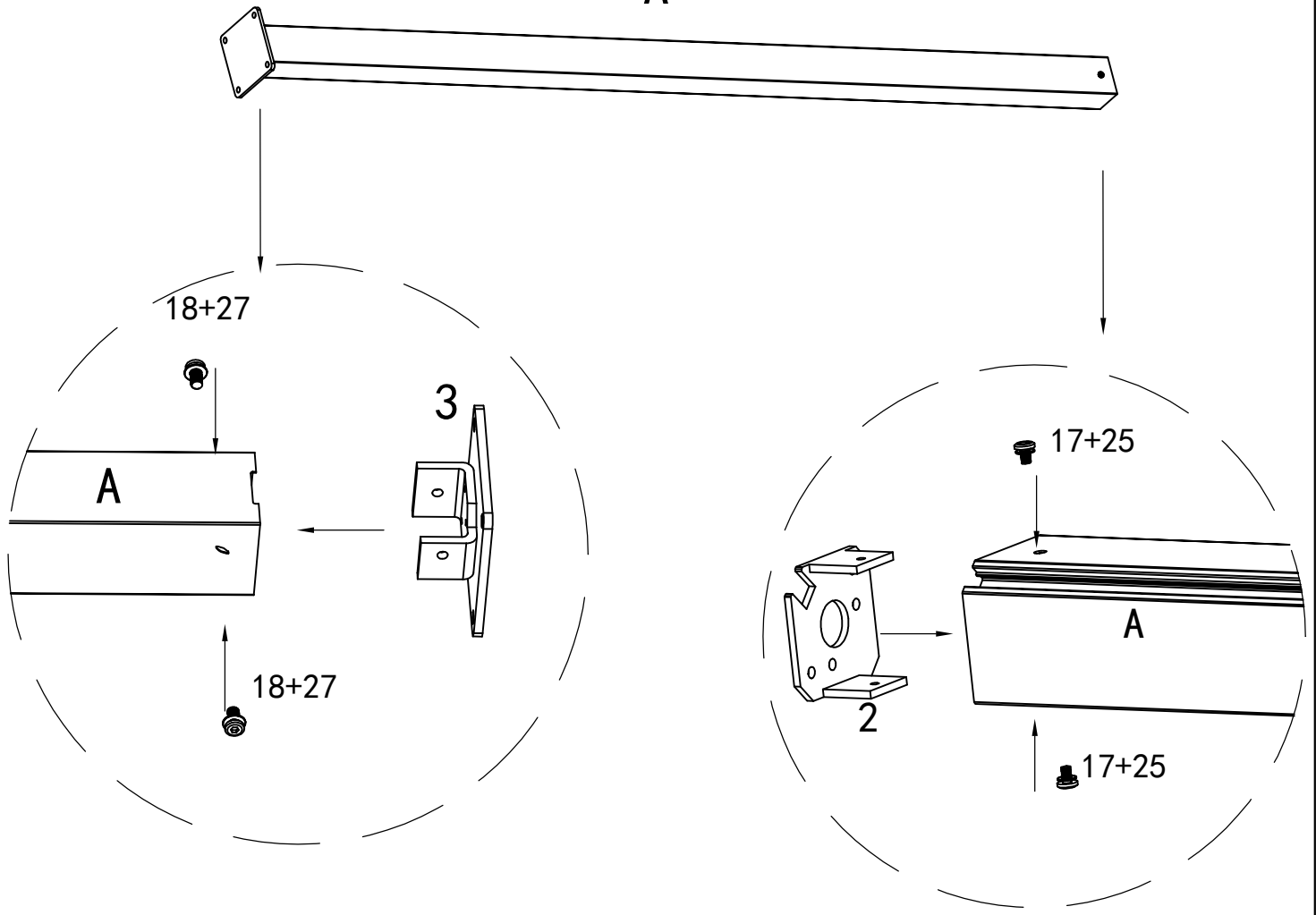
└ 145*5MM X 1

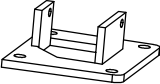

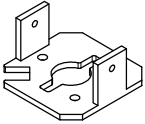
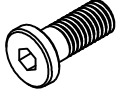
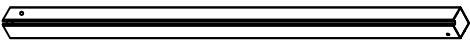


└ 145*6MM X 1



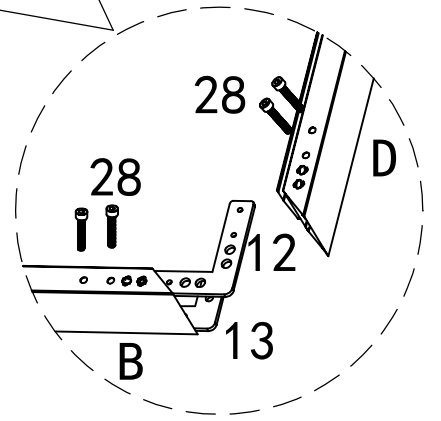
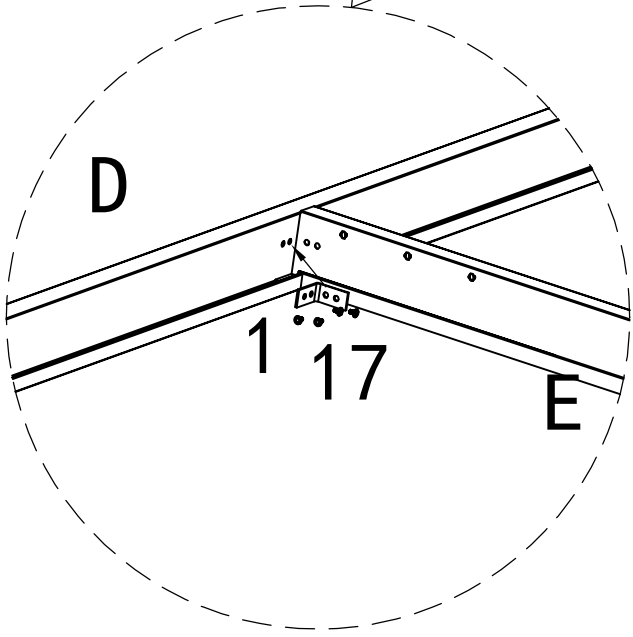
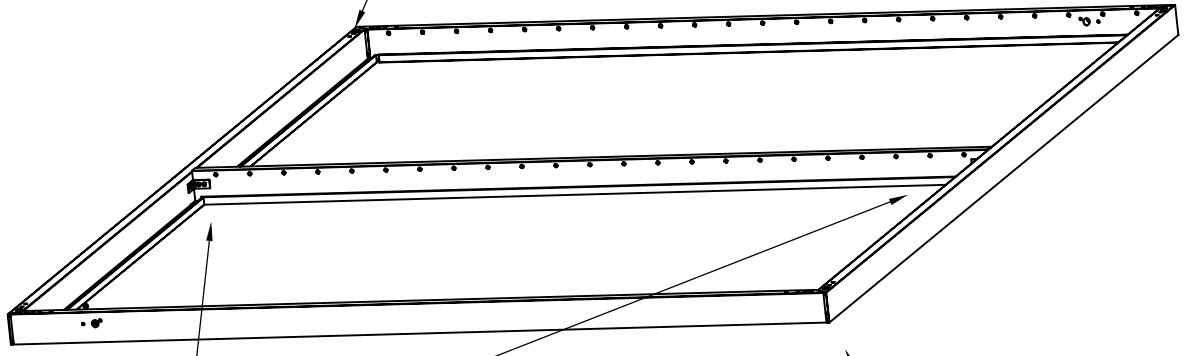
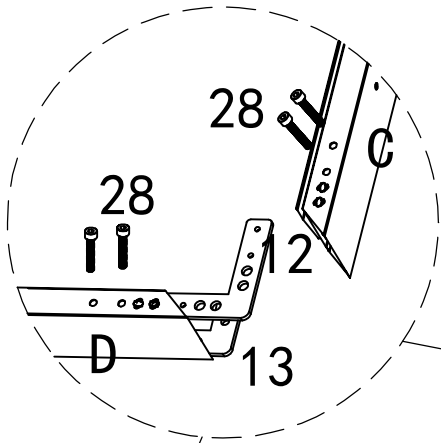
II

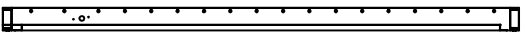


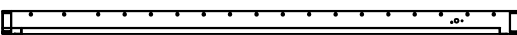

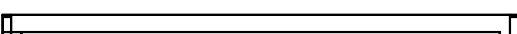


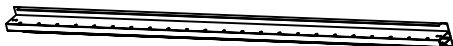
A



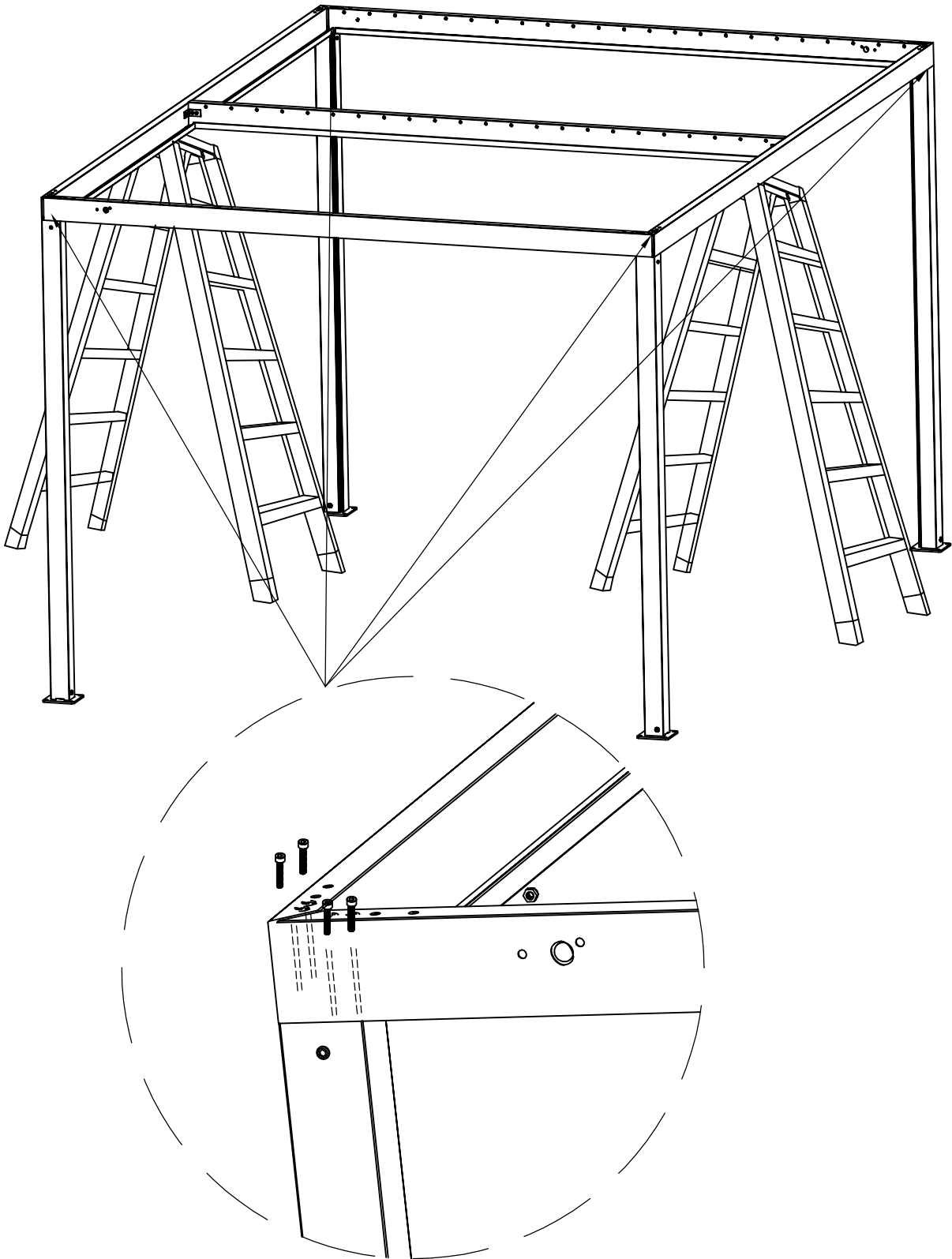
3	 X4	18	M10*20	 X8
2	 X4	17	M6*20	 X8
A	 X4	27	$\phi 20*\phi 10*1$	 X8
		25	$\phi 12*\phi 6*1$	 X8

III

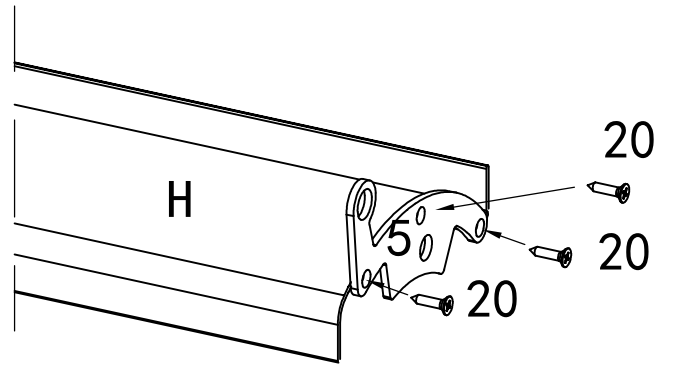
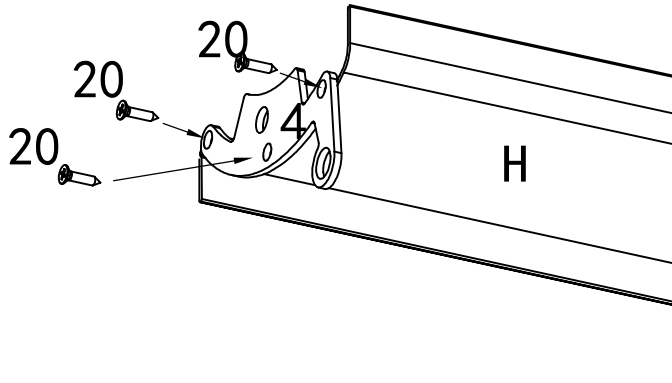


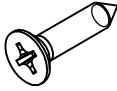


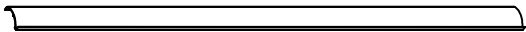
B	 X1	1		 X4
		12		 X4
C	 X1	13		 X4
D	 X2	28	M8*20	 X8
		17	M6*20	 X16
E	 X1			

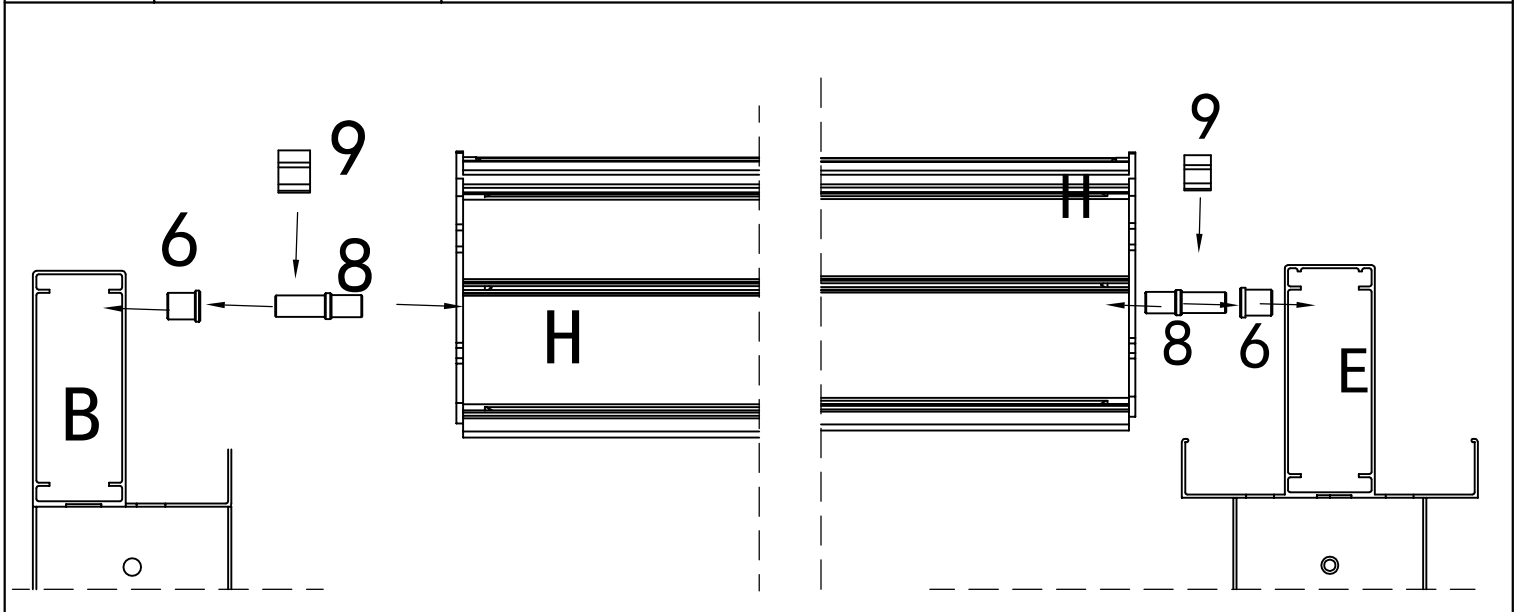
IV

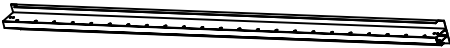

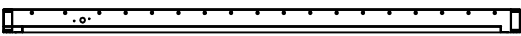

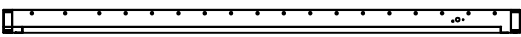
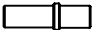


V

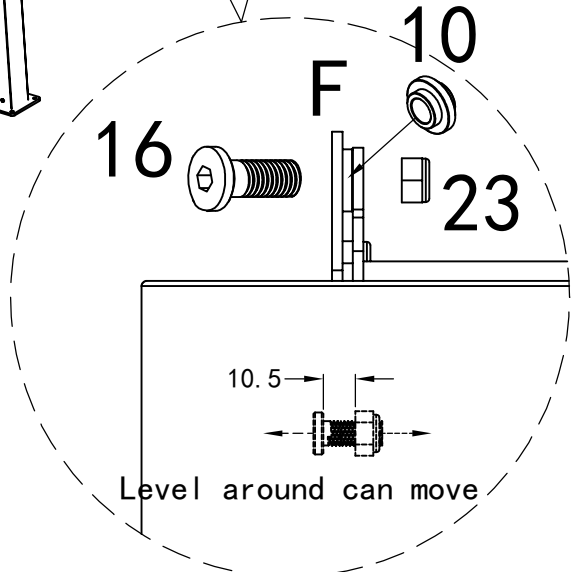
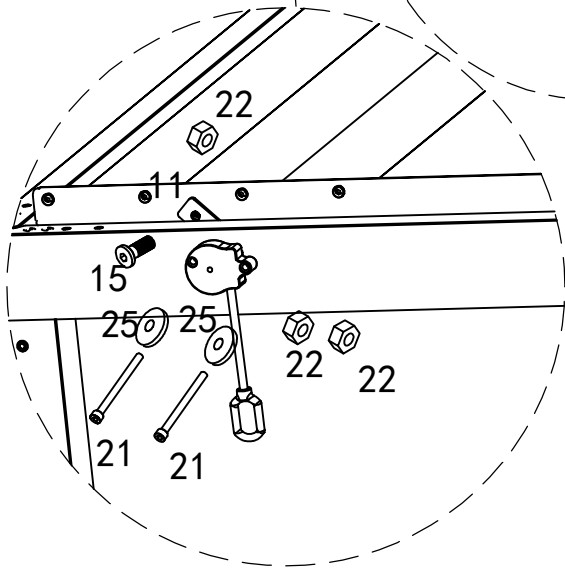
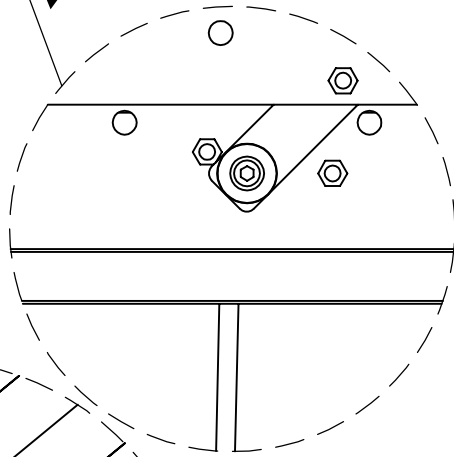
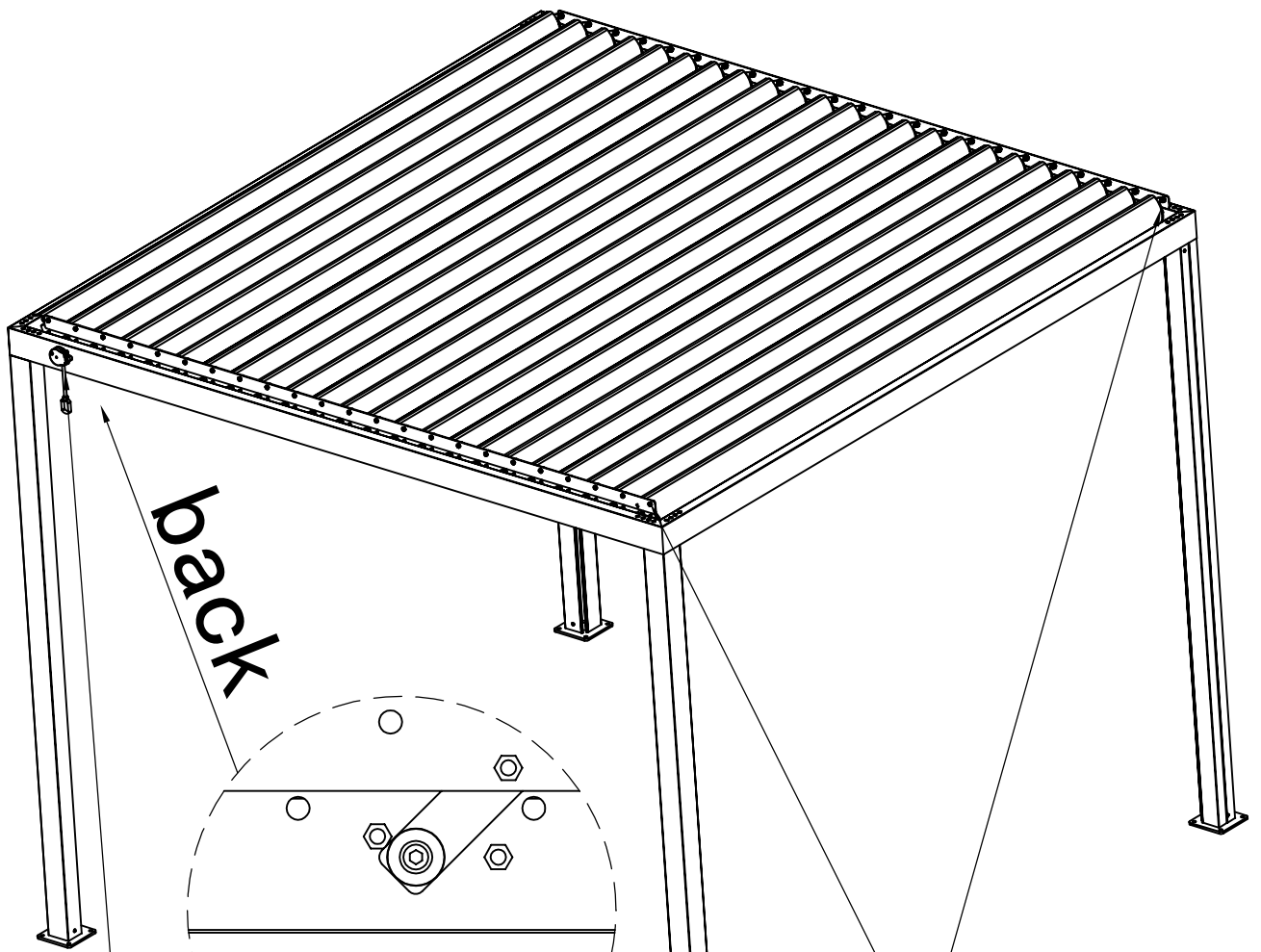


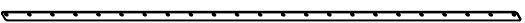


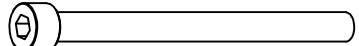
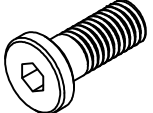


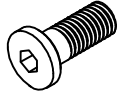


20	ST3. 5x13		X6
4 5		 X1	 X1
H			X1



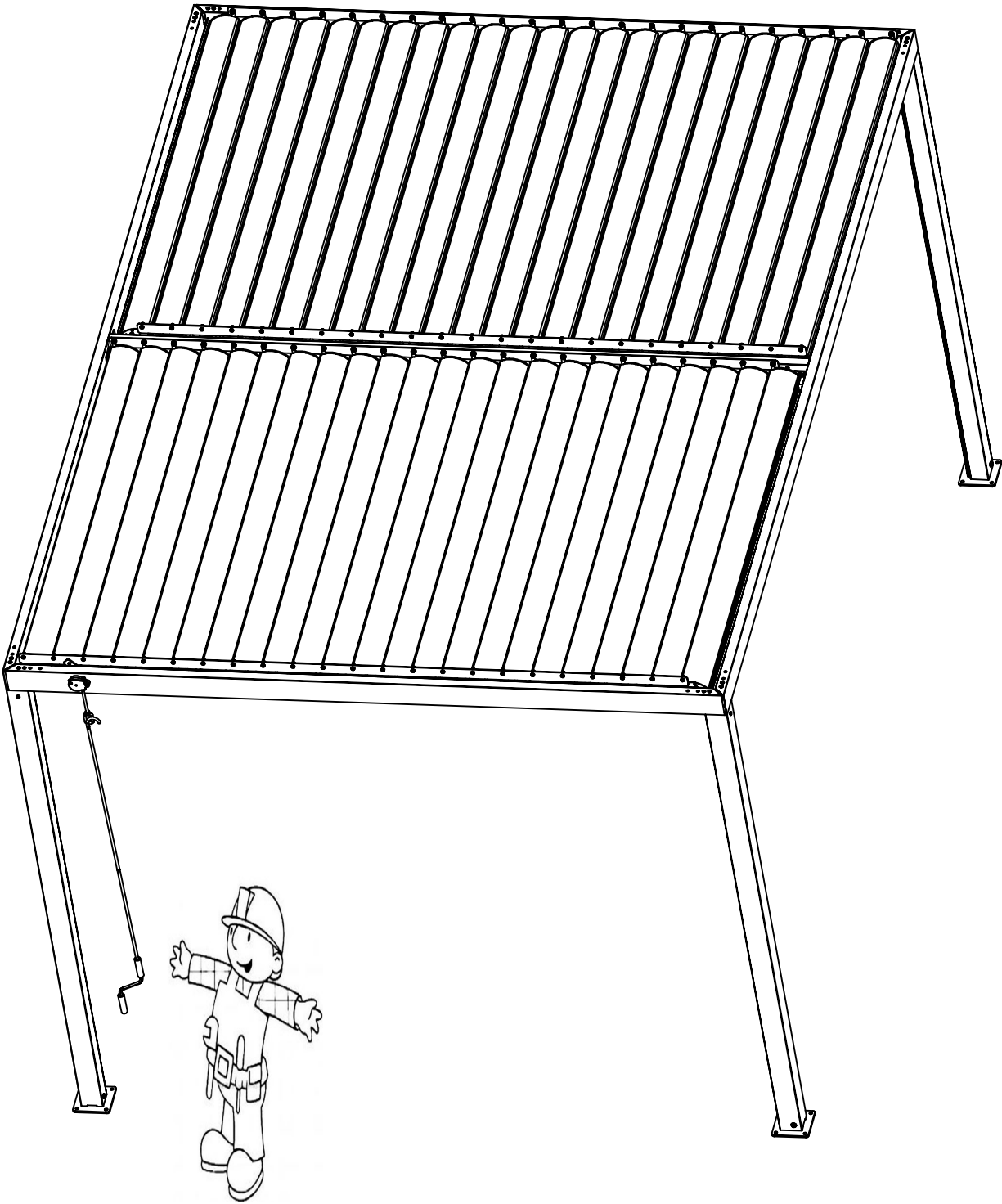
E	 X1	9	 X2
C	 X1	6	 X2
B	 X1		
8	 X2		









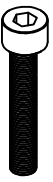
VI

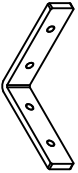
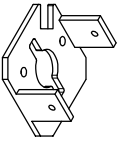




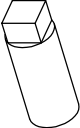
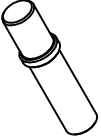





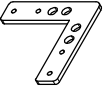



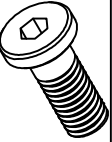


F		X1	14		X1
G		X1	21	M8*70 	X2
16	M8*20 	X46	22		X3
10		X46	15		X2
23	(M8) 	X46	26		X2






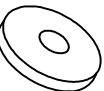


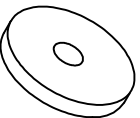
VII



PART	PHOTO	QTY
A		X4
B		X1
C		X1
D		X2
E		X1
F		X2
G		X2
H		X46
28	M8*20 	X16

PART	PHOTO	QTY
1		X4
2		X4
3		X4
4		X46
5		X46
6		X92
7		X2
8		X92
9		X92

PART	PHOTO	QTY
10		X92
11		X2
12		X4
13		X4
14		X2
15		X2
16		X92
17		X24
18		X8

PART	PHOTO	QTY
19		X4
20		X276
21		X4
22		X6
23		X92
24		X4
25		X8
26		X4
27		X8
28	